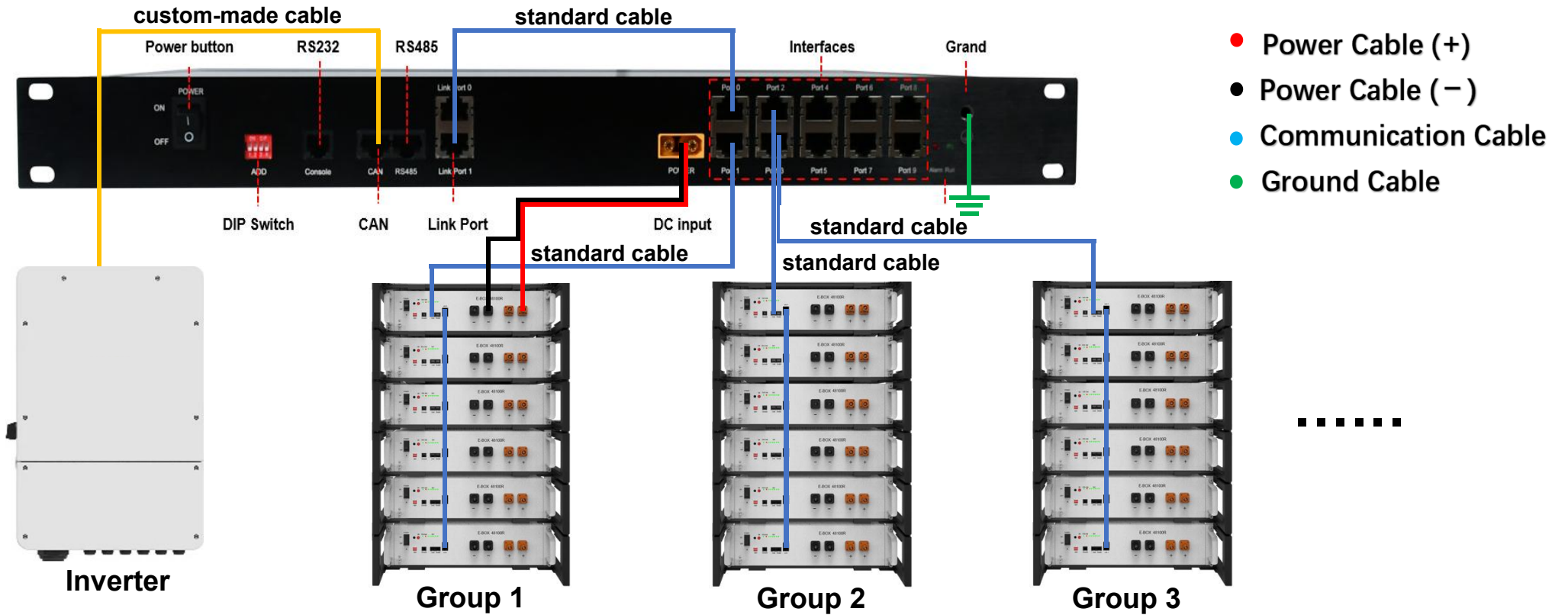


Installation Guide of Hub

-- Pytes Technical Group

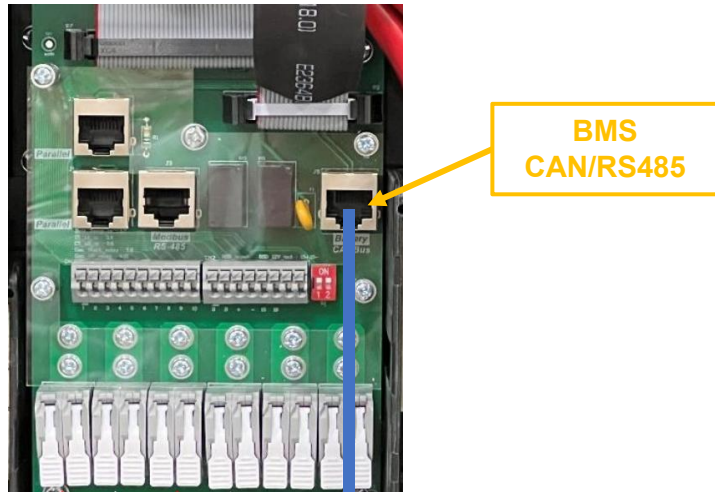


1. Cable Connection



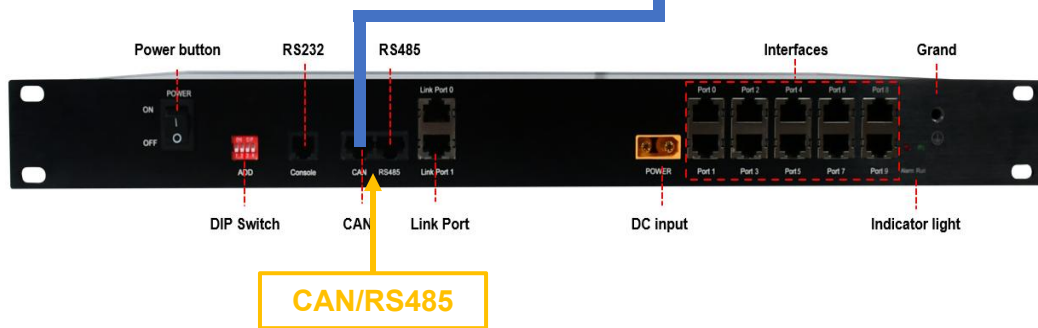
custom-made cable : BMS CAN/RS485 port of Inverter to CAN/RS485 port of hub
 standard cable : Link Port 1 of hub to Port 0 of hub
 standard cable : CAN port of the Master battery of Group 1 to Port 1 of hub
 standard cable : CAN port of the Master battery of Group 2 to Port 2 of hub
 standard cable : CAN port of the Master battery of Group 3 to Port 3 of hub
 standard cable : Link 1 port of Master battery to Link 0 port of slave battery
 +/- power cables: DC input terminal of hub to DC terminals of any battery

2. Communication Cable Pin Number



BMS
CAN/RS485

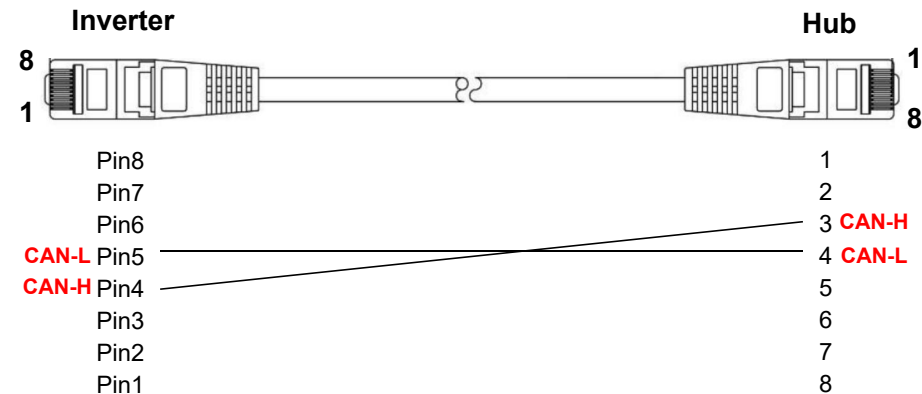
custom-made cable



CAN/RS485

Pin number of Hub to Inverter

PinNumber	Hub RS485	Hub CAN	Sol Ark	Voltronic Hybrid	Voltronic Off-grid	Solis	Afore
1	RS485B		RS485B				
2			RS485A				
3	RS485A	H			RS485B		RS485A
4		L	H	RS485B		H	H
5			L	RS485A	RS485A	L	L
6	GND						RS485B
7			RS485A				
8			RS485B	GND	GND		
PinNumber	Luxpower	SRNE	Growatt	GOODWE	Victron	SMA	Megarevo
1	RS485B		RS485B	RS485A			
2	RS485A		RS485A	RS485B			
3	L						
4	H		H	H		H	H
5		H	L	L		L	L
6		L					GND
7		RS485A			H		RS485A
8		RS485B			L		RS485B



Choose to connect to CAN or RS485 port according to the inverter protocol

3. DIP Switch Setting

DIP Switch of Hub

Victron		Sol Ark		Afore		Solis	
Voltronic		Studer		SRNE		Empty	
Goodwe		KeLong		SMT		SMA	
Megarevo		Growatt		Empty		Luxpower	

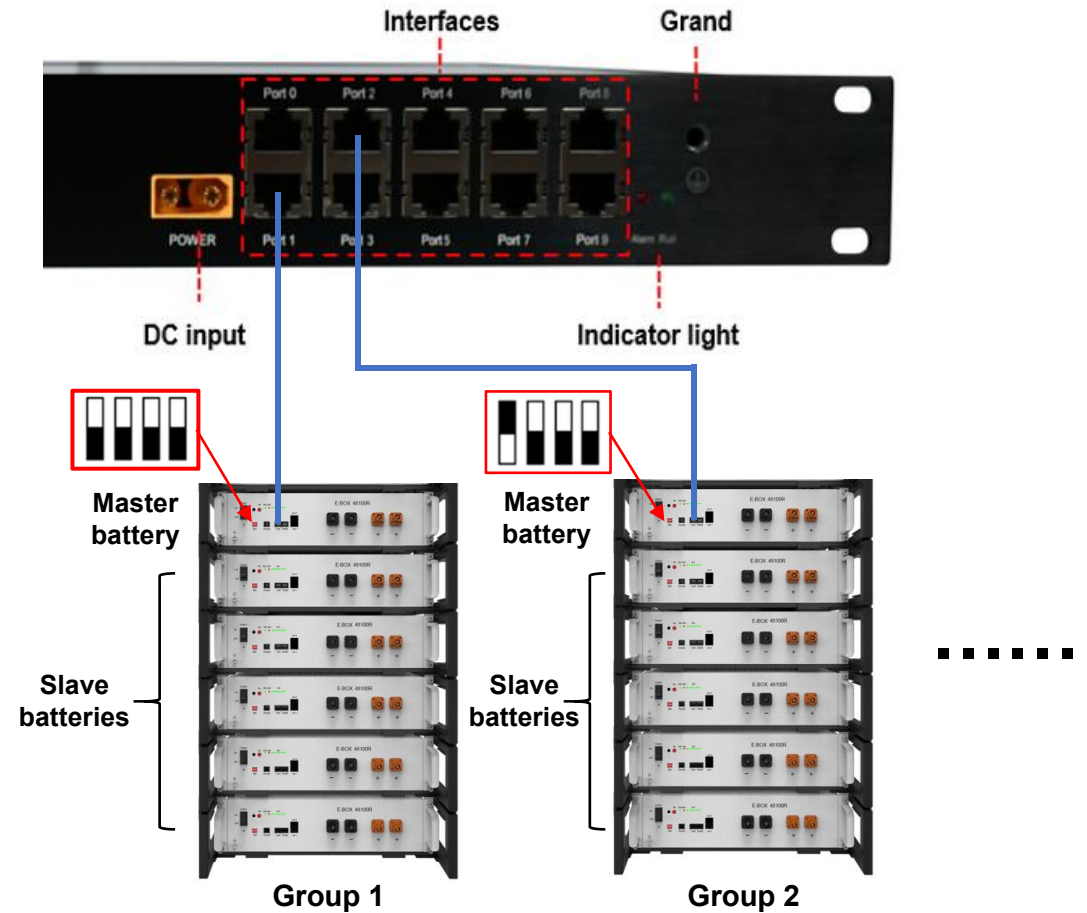
DIP Switch of Master battery

Group1		Group5	
Group2		Group6	
Group3		Group7	
Group4		Group8	

(4-digit DIP)

Group1		Group5	
Group2		Group6	
Group3		Group7	
Group4		Group8	

(6-digit DIP)



No special requirement for the DIP Switch setting of the Slave batteries