

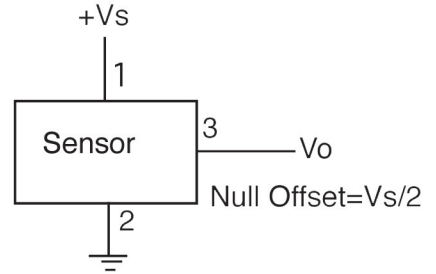


100A , 200A , 300A ratings

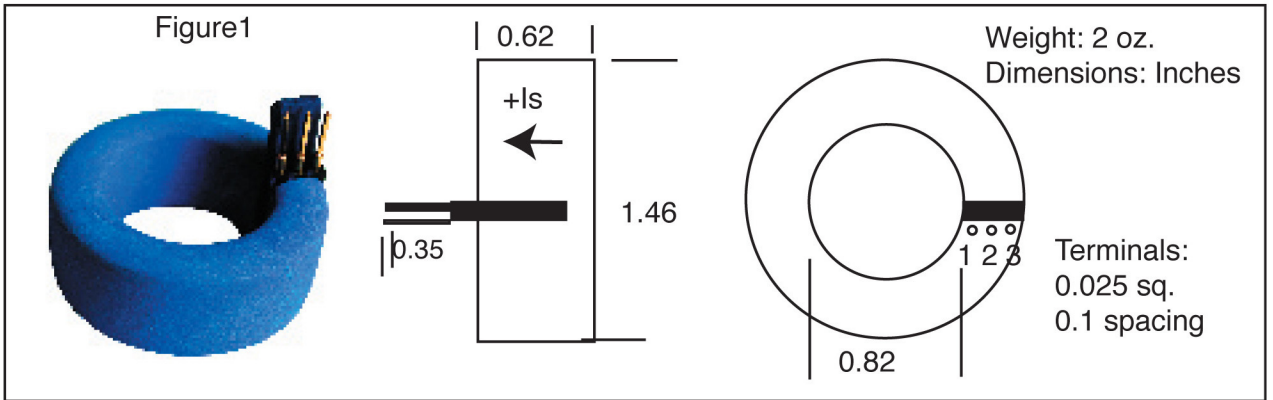
amploc.com

Hall effect linear current sensors. (-40C to +125C)

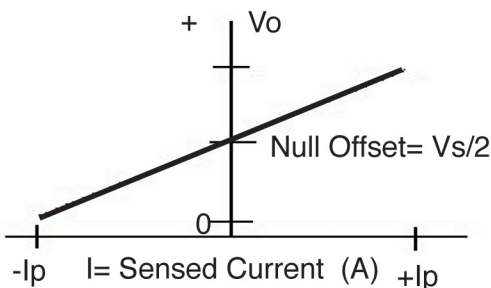
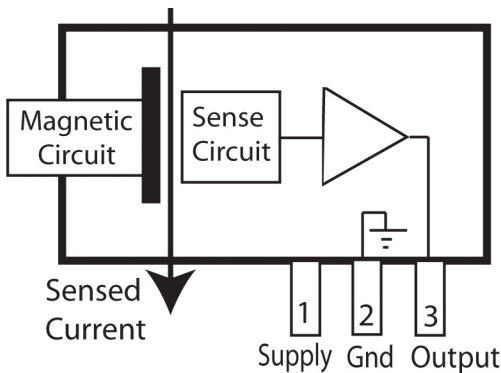
Sensor Style	Fig.	Sensed Current (Amps peak)	Vs= +5V ΔV_o at peak rated current *	Vs= +5V Sensitivity mV/A *
KEY 100	1	100	1.59V	15.9
AMP 200	1	200	1.9V	9.5
AMP 300	1	300	2.38V	7.9



* proportional to Vs



Mating connector: Samtec SSW-1-03-02-T-S-RA
or Molex 5051-04



Caution: Do not reverse supply voltage polarity.
Do not drop on cement floor.

ELECTRICAL CHARACTERISTICS

- Supply voltage, Vs.....+4.5 to +10.0 Vdc
- Supply Current..... 10mA max.
- Output Current..... 2mA max.
- Offset Voltage, V_o (Sensed $I = 0A$.) $V_s/2 \pm 2\%$
- Output Voltage, V_o is proportional to V_s .
- Temperature Error
 - Null..... .03%/C
 - Gain..... .03%/C
- Temperature Range..... -40C to +125C
- Response Time..... 3 μ Sec.
- Linearity (Full Scale)..... 1%
- Accuracy (Full Scale)..... $\pm 2\%$